

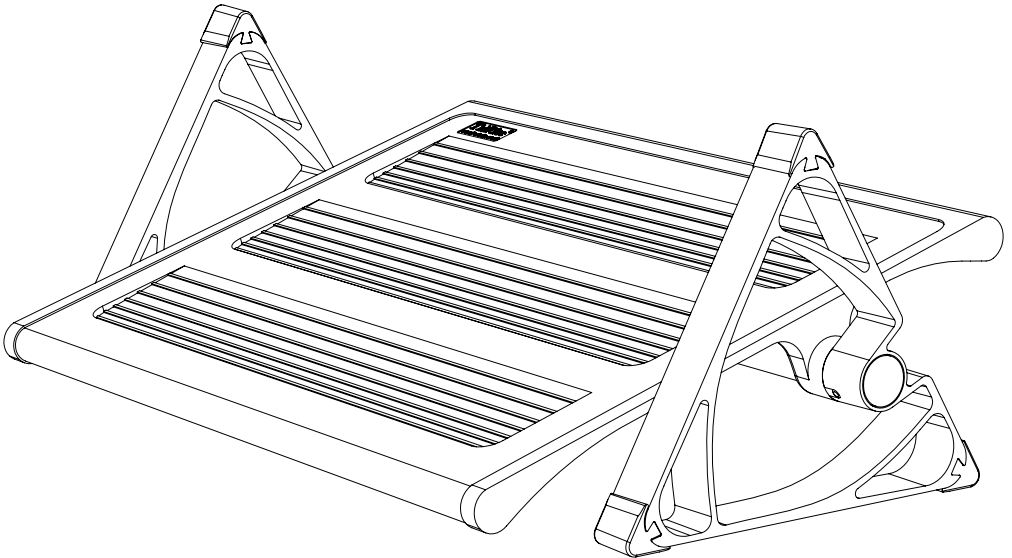


TriRite

Adjustable Footrest

Assembly Instructions

D	Verstellbare Fußstütze	NL	Verstelbare Voetensteun
ES	Reposapiés Ajustable	NOR	Justerbar Fotstøtte
FI	Säädettävä Jalkatuki	P	Pés Ajustáveis
FR	Repose-Pieds Réglable	SW	Justerbart Fotstöd
IT	Poggiapiedi Regolabile	TR	Ayak Desteği



Material: PVC / ABS

Registered Design No. 002402685-0001



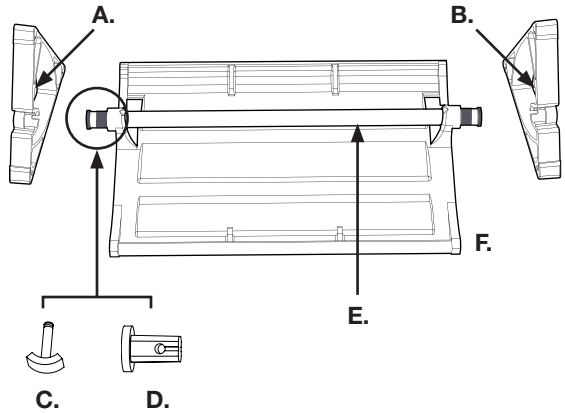
www.posturite.co.uk

1.

Arrange the components on a flat surface exactly as shown in the diagram.

Ensure footplate (F.) is upside down during assembly.

Place triangular foot (A.) on the left-hand side of the footplate (F.) and triangular foot (B.) on the right-hand side. Parts (A.) and (B.) are marked on the inside edge as indicated.

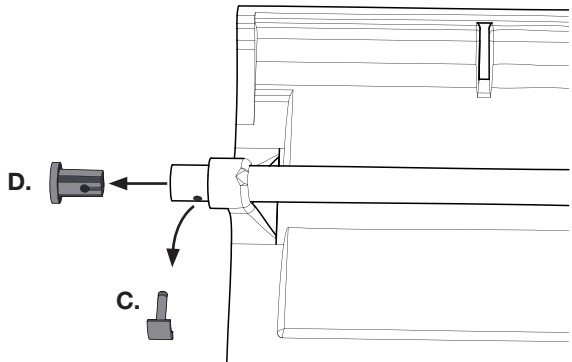


2.

Start with the left side.

Remove pin (C.)

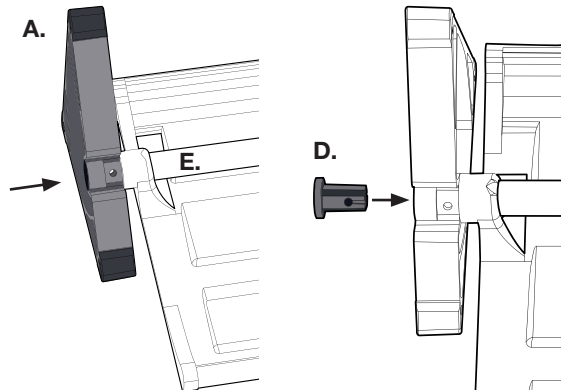
Remove plug (D.)



3.

Push triangular foot (A.) onto end of tube (E.) with the hole in the tube facing forward.

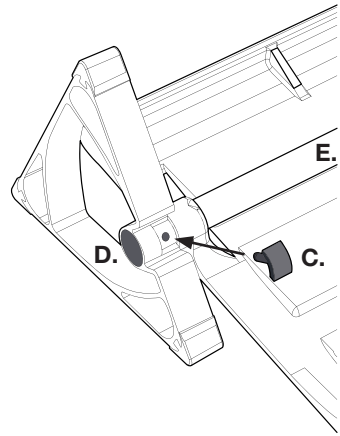
Insert plug (D.) through triangular foot and into tube. If necessary, rotate and push plug into the tube so that the holes line up.



4.

Insert pin (C.) through hole in tube (E.) and plug (D.). Push firmly until pin is fully through tube and triangular foot (A.) and that it fits flush into position.

Repeat procedure 2-4 for the right-hand side assembly.

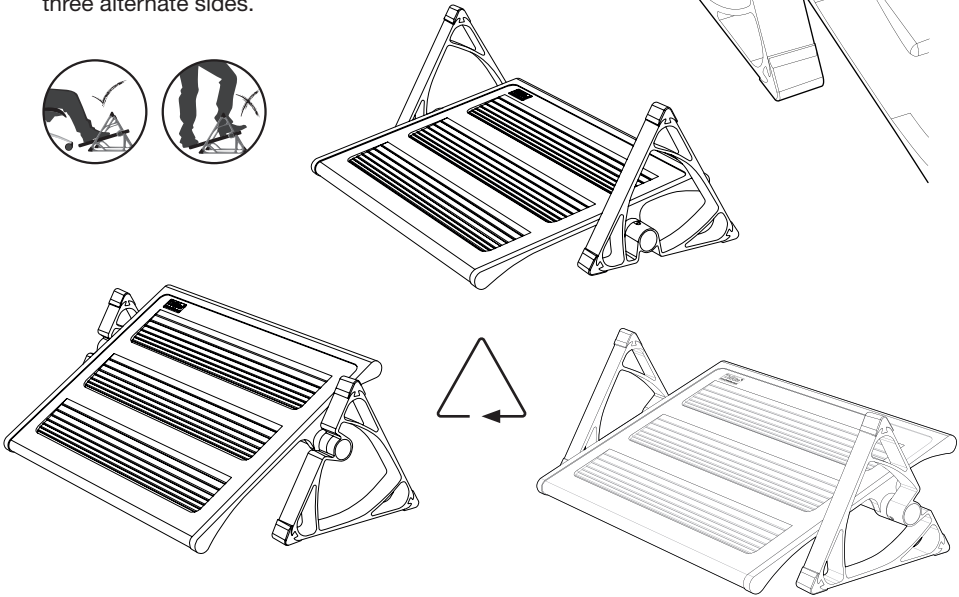
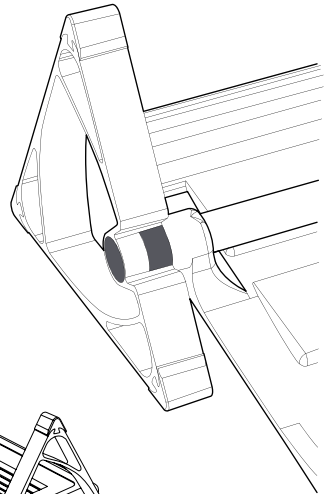


5.

When both sets of pins and plugs are in place, turn the TriRite footrest over.

Assembly is complete.

To alter the height, rotate triangular feet to one of the three alternate sides.



POSTURITE®

Because Health Matters



www.posturite.co.uk