

# Terea

LED task light



This task light combines energy-efficient LEDs, ergonomics and compact design for an incomparable value. Terea, which efficiently and cost-effectively illuminates any worksurface with maintenance-free operation, better articulates its ergonomics with the effortless tilt of its arm and yaw and tilt of its head. This allows the light to fall exactly where needed, providing optimal lighting and functionality. Standard with table/desk base, panel mount with panel mount bracket and panel mount with tool-tile bracket.

Colors: Black, silver grey or white (table/desk base only).

## LED: Lightsource of the future

Terea is equipped with state-of-the-art LEDs which provide bright, warm light and have an incredibly long life expectancy of 50,000+ hours. That means 25 years or more with normal office use. You may never have to change the lightsource.

- [Follow this link to learn more about Luxo workspace lighting](#)

## Terea



Terea

---

**TECHNICAL DESCRIPTION**


---



---

**LIGHTSOURCE**


---

Supplied with 1 x integrated LED module 7W (9.6W total energy consumed). Correlated color temperature (CCT) is 3000°K.  
Color rendering index (CRI) is 80.

---

**BODY MATERIAL AND COLOR**


---

Aluminum arm and shade. Iron cast base with plastic cover.  
Colors: black, white or silver grey.

---

**MOUNTING**


---

Standard with table/desk base, panel mount with panel mount bracket and panel mount with tool-tile bracket.

---

**OPTICS**


---

Asymmetric light output. White, polycarbonate reflectors.

---

**POWER SUPPLY**


---

Plug-in 120V LED driver.

---

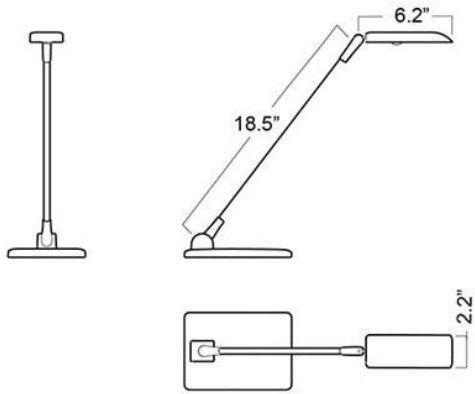
**ARM TECHNOLOGY AND MOVEMENT**


---

17" two-pivot arm. Up-and-down, side-to-side and rotational head movement.

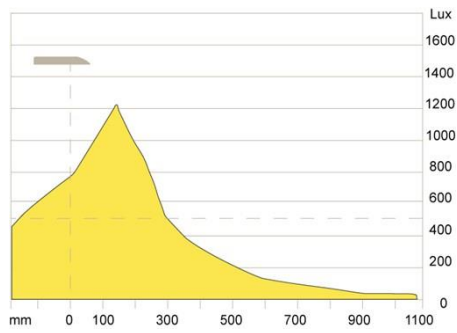
# Terea

## MEASUREMENT DRAWINGS



Terea

## LIGHT MEASUREMENT DRAWINGS



# Terea

## GALLERY



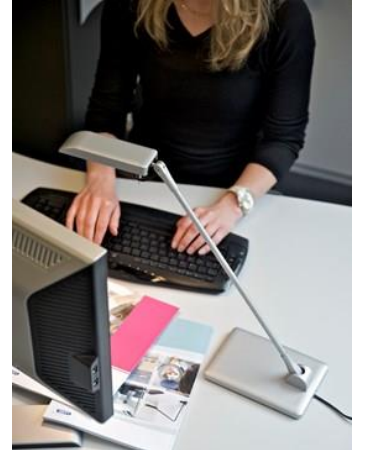
Terea



Terea



Terea



Terea