

Ovelo

LED task light



With its unique design and all metal construction, this impressive task light will stand out in any office environment. A covered spring-balanced arm design provides complete flexibility of the pivoting arm and lamp head, yet its overall size is modest. Ovelo uses dimmable LEDs and has an automatic shut-off functionality to save energy. Standard with an edge clamp or table/desk base. Other mounting options sold separately.

Colors: White, black or silver grey.

LED: Lightsource of the future

Ovelo is equipped with state-of-the-art LEDs which provide bright, warm light and have an incredibly long life expectancy of 50,000+ hours. That means 25 years or more with normal office use. You may never have to change the lightsource.

- [Follow this link to learn more about Luxo workspace lighting](#)



Ovelo

TECHNICAL DESCRIPTION

LIGHTSOURCE

Supplied with 1 x integrated LED module 6W (7.4W total energy consumed). Correlated color temperature (CCT) is 3250° K. Color rendering index (CRI) is 90.

BODY MATERIAL AND COLOR

Steel arm and aluminum shade. Colors: black, silver grey or white.

MOUNTING

Standard with edge clamp or table/desk base. Accessory tool-tile bracket, panel mount bracket, C-edge clamp and grommet are also available.

OPTICS

Asymmetric light output. White, polycarbonate reflectors.

POWER SUPPLY

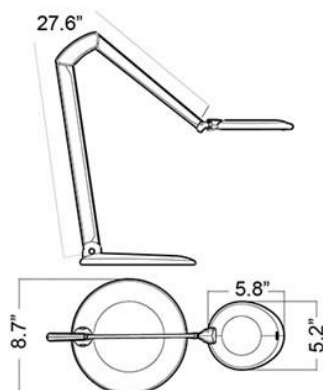
Plug-in 120V power supply.

ARM TECHNOLOGY AND MOVEMENT

29" parallel, three-pivot arm. Up-and-down and side-to-side head movement.

Integrated 9/4 hour auto shut-off functionality.

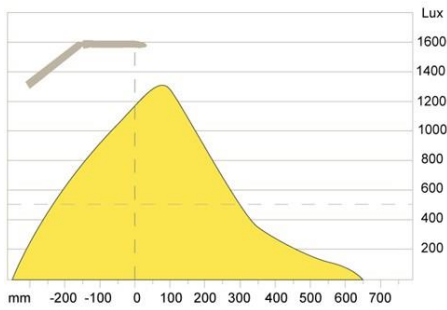
MEASUREMENT DRAWINGS



Ovelo

Ovelo

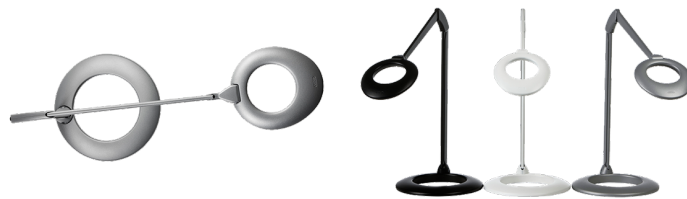
LIGHT MEASUREMENT DRAWINGS



GALLERY



Ovelo



Ovelo

Ovelo



Ovelo