

As the winner of numerous international awards for design and functionality, Ninety combines energy-efficiency with asymmetric light distribution. Bright, warm light and superb color rendering make it suitable for any modern office environment. A spring-balanced arm, double-action rotating base, and sleek head give Ninety excellent range of motion. It is dimmable and incorporates energy-saving automatic shut-off functionality. Standard version with edge clamp or table/desk base. Other mounting options sold separately.

Colors: White gloss, metallic black gloss or grey gloss.

**LED: Lightsource of the future**

Ninety is equipped with state-of-the-art LEDs which provide bright, warm light and have an incredibly long life expectancy of 50,000+ hours. That means 25 years or more with normal office use. You may never have to change the lightsource.

- [Follow this link to learn more about Luxo workspace lighting](#)



# Ninety

---

## TECHNICAL DESCRIPTION

---



---

### LIGHTSOURCE

Supplied with 1 x 6W integrated LED module (7.4W total energy consumed). Correlated color temperature (CCT) is 3250°K. Color rendering index (CRI) is 90.

---

### BODY MATERIAL AND COLOR

Full metal body made of zinc, steel and aluminum. Colors: grey gloss, metallic black gloss or white gloss.

---

### MOUNTING

Standard with edge clamp or table/desk base. Accessory panel mount bracket, tool-tile bracket and recessed surface mount are also available.

---

### OPTICS

Asymmetric light output. White, polycarbonate reflectors.

---

### POWER SUPPLY

Plug-in 120V power supply.

---

### ARM TECHNOLOGY AND MOVEMENT

30.7' two-pivot arm. Up-and-down and rotational head movement.

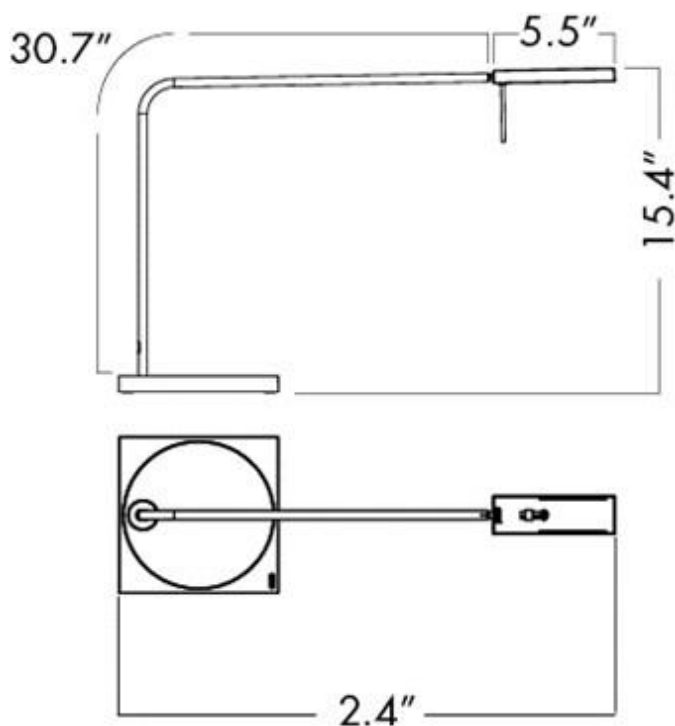
---

Integrated 9/4 hour auto shut-off functionality.

---

## MEASUREMENT DRAWINGS

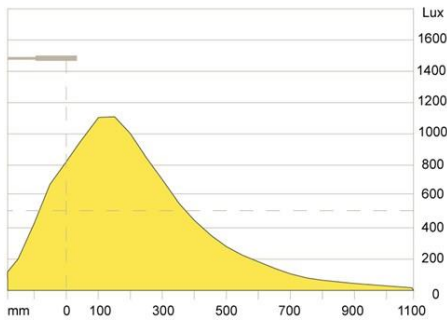
---



NInety

# Ninety

## LIGHT MEASUREMENT DRAWINGS



## GALLERY



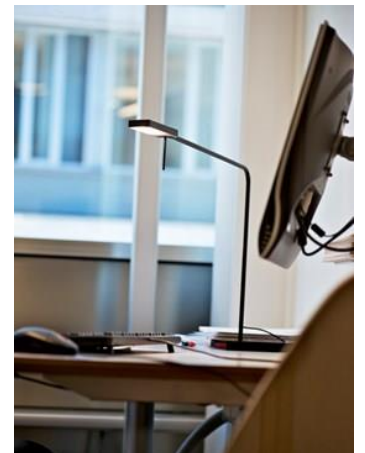
Ninety



Ninety



Ninety



Ninety



New LED module