

equo®

KONCEPT

Lumens:	360
Energy Consumption:	6 watts
Number of LEDs:	28 LEDs
LED Rated Lifespan:	50,000 hours
Color Temperature (Typical) – Cool:	4,500 K
Color Temperature (Typical) – Warm:	3,500 K
Color Rendering Index (CRI):	85
Dimmer:	Built-in touchstrip
Brightness Adjustability:	Multiple dimming levels
Standard Color Finish*:	Black, Silver, Orange
Material:	Aluminum/Plastic
Cord Color:	Black
Cord Length:	10'
Transformer (100–240 V; 50/60 Hz):	Included – C-UL-US Certified

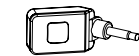
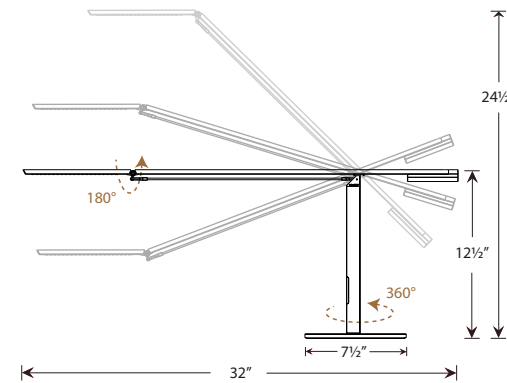
ELX-A- - - - -DSK

CD = Cool White Light
WD = Warm White Light

BLK = Black
SIL = Silver
ORG = Orange

DSK = Floor Stand & Base

*Custom colors are available at additional cost. Contact Koncept or your sales representative for a quote.



Occupancy sensor*
(P7-02-OCC01A)

Potential LEED Points:

Energy & Atmosphere (EA)

Credit 1.1: Optimize Energy Performance
LED lighting to reduce energy consumption.
(Potential points: 3)

Innovation In Design (ID)

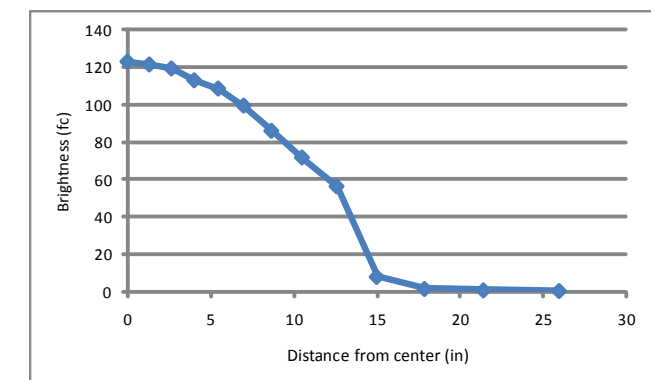
Credit 1.1- 1.4: Innovation in Design
EQUO® incorporates a unique combination of features including feather-light adjustability with counterbalance mechanism, touch sensitive dimming, and constant angle joint stabilization.
(Potential points: 4)

Materials & Resources (MR)

Credit 4.1: Recycled Content - 10%
Lamps contain parts made out of 10% pre-consumer recycled content.
(Potential points: 1)

Credit 4.2: Recycled Content - 20%
Lamps contain parts made out of 20% pre-consumer recycled content.
(Potential points: 2)

Light source placed at 15" away from worksurface



Lamp contains 34% preconsumer recycled material by weight*
Aluminum housing is fully recyclable
All color finishes use water-based paint

LEDs do not contain mercury

*in standard configuration (includes transformer and weighted base)

The exceptional Equo® is a willowy sculpture masquerading as an LED desk lamp. The lamp has a streamlined counterweight design that balances the body of the lamp on a slight stand and weighted base while the LED head tilts and maintain its angle until you change it. Equo® is a must-see lamp – see it for yourself to appreciate its unique and elegant design and functionality.

- iF product design award 2012
- WAN Awards Shortlisted 2012
- Interior Design's Best of Year 2011 Product
- JDP's Good Design Award 2011
- Benelux Office Products Awards Winner 2011
- Bloom Award Winner 2011
- red dot: product design winner 2011
- Next Generation Luminaires "Best in Class" Winner 2010
- Spark Award – Bronze 2010
- Chicago Athenaeum's GOOD DESIGN Award 2010
- ADEX Platinum Award 2010